

BOV1xx-1310/1550

OPTICAL BROADCAST/ NARROWCAST SPLITTER

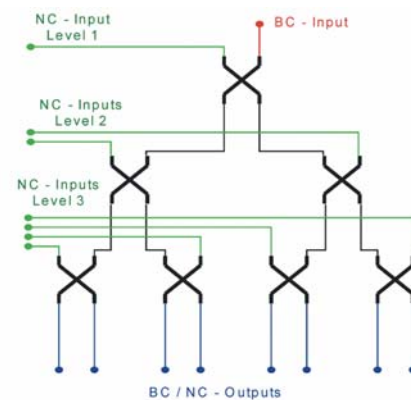
Application

- ▶ Distribution of different narrowcast signals from one hub – together with a common broadcast signal

Features

- ▶ Dual window device
- ▶ Wavelength flattened design
- ▶ Available in

compact housing with pigtailed	BOV1xx
19" - 1 HU housing with adaptors	BOV1xx-H
19" - 3 HU plug-in unit	BOV1xx-V
- ▶ FC/APC, SC/APC or E2000 connectors



Types	BOV102	BOV104	BOV108	BOV112	BOV116
-------	--------	--------	--------	--------	--------

Performance Data	Unit					
Wavelength ranges	[nm]	1310 ± 40 and 1550 ± 40				
Configuration input:output		1:2	1:4	1:8	1:12	1:16
Insertion loss 1:16-splitter *)	[dB]				12.6 ± 1.4	
Insertion loss 1:12-splitter *)	[dB]				11.5 ± 1.9	
Insertion loss 1:8-splitter *)	[dB]			9.5 ± 1.1		9.5 ± 1.1
Insertion loss 1:4-splitter *)	[dB]	6.3 ± 0.7		6.3 ± 0.7		6.3 ± 0.7
Insertion loss 1:2-splitter *)	[dB]	3.3 ± 0.6	3.3 ± 0.6	3.3 ± 0.6	3.3 ± 0.6	3.3 ± 0.6
Minimum directivity	[dB]	50				
Operating temperature	[°C]	-20 to +75				

*) Loss values are defined with 0.1 dB - connectors

