

FOV064-PLC-IP

OPTICAL SPLITTER

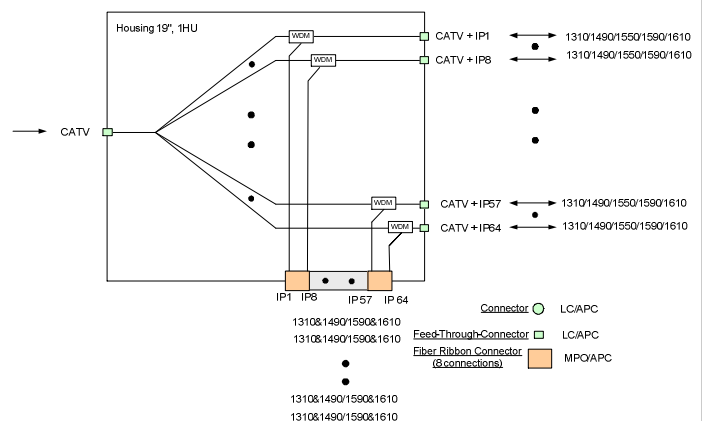
Application

- ▶ Distribution of optical signals in Point-to Point Fiber To The Home (FTTH) systems
- ▶ One-Fiber-Solution: Wavelength multiplexing with 1490nm & 1310nm for IP traffic and 1550 nm for RF video overlay on one fiber



Features

- ▶ 64 ports with combined IP and RF video overlay in 1HU 19" -housing
- ▶ PLC- and TFF- based
- ▶ High uniformity
- ▶ Low insertion loss
- ▶ High Reliability



Type: BOV064-PLC-IP

Performance Data	Unit	FOV064-PLC-IP
Configuration input:output		1 input CATV (1550nm) 64 in/out 1550+1310&1490nm 64 in/out 1310&1490 nm
Wavelength ranges	[nm]	1550±6 1290~1510
Typical insertion loss, CATV *)	[dB]	20.7
Maximum insertion loss , CATV *)	[dB]	21.1
Maximum insertion loss , IP *)	[dB]	2
Uniformity	[dB]	≤1.9
Minimum Return loss	[dB]	45
Maximum PDL	[dB]	0.45
Operating temperature	[°C]	-5to +65 deg.C
Housing		19" , 1HU
Optical Adaptors		LC/APC and MPO/APC
Storage Temperature	[°C]	-40 to +85
Humidity	[%]	0 to 90RH not condensed
Compliance		Telcordia GR-1209-CORE, GR-1221-CORE

*) excluding connector loss