

PSC24B

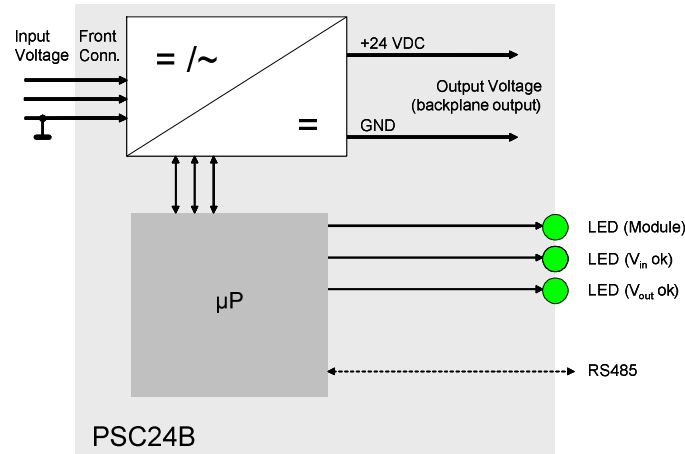
POWER CONVERTER MODULE

Application

- ▶ PSC24B power converter module for BBT002-B/BBT003-B subrack
- ▶ Converts both, AC remote powering voltage and DC battery input voltage into 24 V DC

Features

- ▶ Hot redundancy option (2 modules working simultaneously in hot standby)
- ▶ Up to 3 A output current (optionally 4 A)
- ▶ Output voltage test socket on front panel
- ▶ Over-voltage and short-circuit protection
- ▶ Primary powering cable safely connected by front plug
- ▶ 3-LED status indication on module front
- ▶ RS485 network management interface



Technical Data

Input voltage ranges	40 ... 115 V DC 38 ... 65 V AC
Output voltage	24 V (DC) ±2%
Output current	0.2 ... 3.0 A (optional 4.0 A)
Output power	≤ 72 W (optional 96 W)
Short circuit current limit for output	≤ 4.0 A (optional 6.0 A)
Efficiency (1 to 4 A)	≥ 80% at DC input voltage ≥ 74% at AC input voltage
Dimensions of BK equipment practice	Module width 1
Weight	~1.3 kg