

# BKtel RFoG Solution

## Product Overview

### DOCSIS 3.1 Enabled FTTH Networks

BKtel's newest RFoG micro node XON90.BFN in combination with the BKtel's ultra-low noise multidiode receiver is the basis for flexible, OBI free FTTH network designs enabling an upgrade to DOCSIS 3.1 DS/US frequency splits without hardware modification.

#### Key Features

- ◆ Easy end customer installation
- ◆ RFoG and CWDM PON in one hardware platform
- ◆ OBI free operation

### XON90.BFN: DOCSIS 3.1 Frequency-Agile Micro Fiber Node

- ◆ Micro Node for FTTH applications
- ◆ Joint RFoG and CWDM-PON technology
- ◆ RFoG compliant 1610 nm return path transmitter (burst mode)
- ◆ CWDM return path transmitter
- ◆ Supports e.g. 12-65 MHz US/85-1006 MHz DS and 12-204 MHz US/ 254-1218 MHz DS frequency allocations without hardware modification
- ◆ In combination with wall mounting unit XON30 the device allows an easy end customer setup



### Optical Return Channel Receiver

- ◆ Ultra low noise receiver technology (Noise Current <math>< 0.8 \text{ pA}/\sqrt{\text{Hz}}</math>)
- ◆ Bandwidth: 5-204 MHz
- ◆ Additional RF combination output 4:1
- ◆ Available in 2G6 or BK units
- ◆ 2G6: OR43-204 for indoor applications with highest port density
- ◆ BK: BOR43-204 for in- and outdoor applications



OR43-204



2G6 for indoor applications



BOR43-204



BK for In- and Outdoor Applications

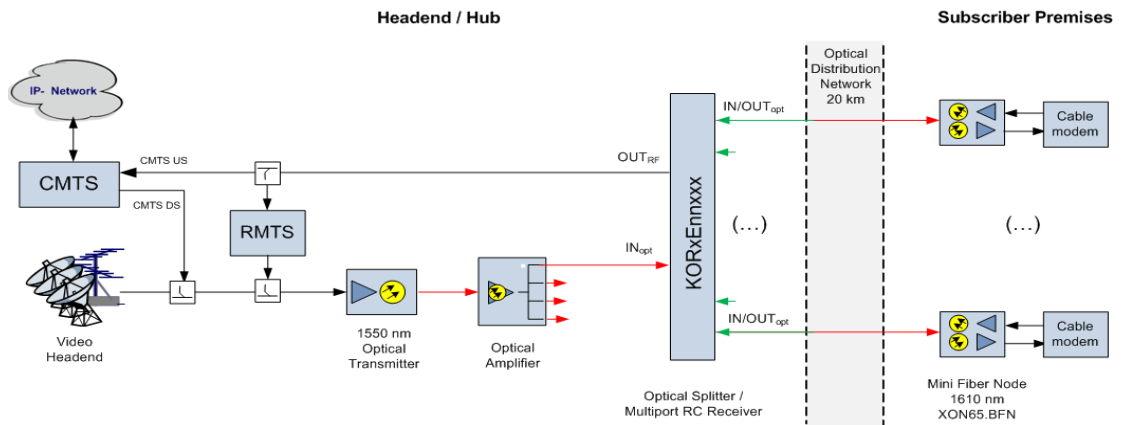
# BKtel RFoG Solution

## Product Overview

### KORxE64200

#### DS Optical Splitter & US Multidiode Receiver

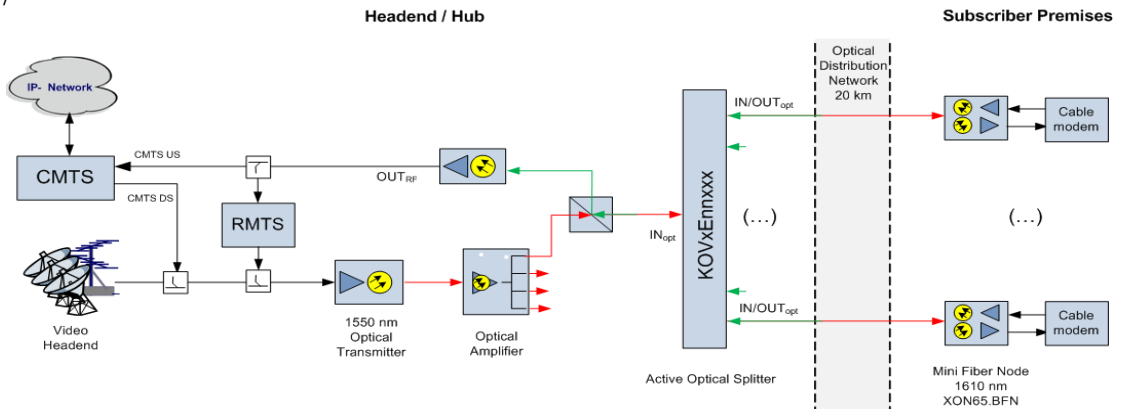
- ◆ 64-Ports (2x32) in 2 RU
- ◆ 1 Optical Input (DS)
- ◆ 2 RF Outputs (US)
- ◆ „Outdoor“ specified
- ◆ NECxE element controller
- ◆ 1 power supply



### KOVxE32200

#### Active Optical Splitter

- ◆ DS Optical Splitter, Opt. US Receiver
- ◆ +US transmitter
- ◆ 32-Ports in 2 RU
- ◆ 1 Optical Output DS/US
- ◆ „Outdoor“ specified
- ◆ NECxE element controller
- ◆ 1 power supply



BKtel

www.bktel.com  
Email: info@bktel.com

BKtel communications GmbH  
Benzstrasse 4  
41836 Hueckelhoven-Baal, Germany  
Phone: +49 (0) 24 33 / 91 22-0  
Fax: +49 (0) 24 33 / 91 22-99

Office Kornwestheim:  
Bahnhofstrasse 82  
70806 Kornwestheim, Germany  
Phone: +49 (0) 71 54 / 1 59 90-0  
Fax: +49 (0) 71 54 / 1 59 90-77